

Vipros 357 Queen with Fanuc 18P Control Layout Drawings



Amada America Inc.
7025 Firestone Blvd.
Buena Park CA. 90621
Phone: (714) 739 2111
Fax: (714) 739 4099
Email info@amada.com

Warning

- Qualified personnel must complete all work.
- Do not apply power to the Vipros 357 Queen until an A.E.S.I. (Amada Engineering and Service Incorporated) Engineer is present and has instructed you to do so.
- Not all information required for proper installation, of the Vipros 357 Queen is included with this document. Specific details for proper installation are found in the *document Vipros 357 Queen with Fanuc 18P User Pre-installation Guide* available at the Amada America Internet web site at <http://www.amada.com>.
- Considerable effort has been made to ensure that this manual is free of inaccuracies and omissions. However, as we are constantly improving our product, some of the data contained herein may be out of date. Please check our Internet site, <http://www.amada.com>, for the latest release of this document.

Table Of Contents

Planning the Location of the Machine	4
Plan View – Vipros 357 Queen	5
Plan View – Vipros 357 Queen with V357hs Conveyor.....	6
Plan View – Vipros 357 Queen with V357hs Conveyor and MP1225 Loader	7
End View - Vipros 357 Queen	8
Elevation View –Vipros 357 Queen.....	9
SBC EX 5.5Chiller Placement.....	10

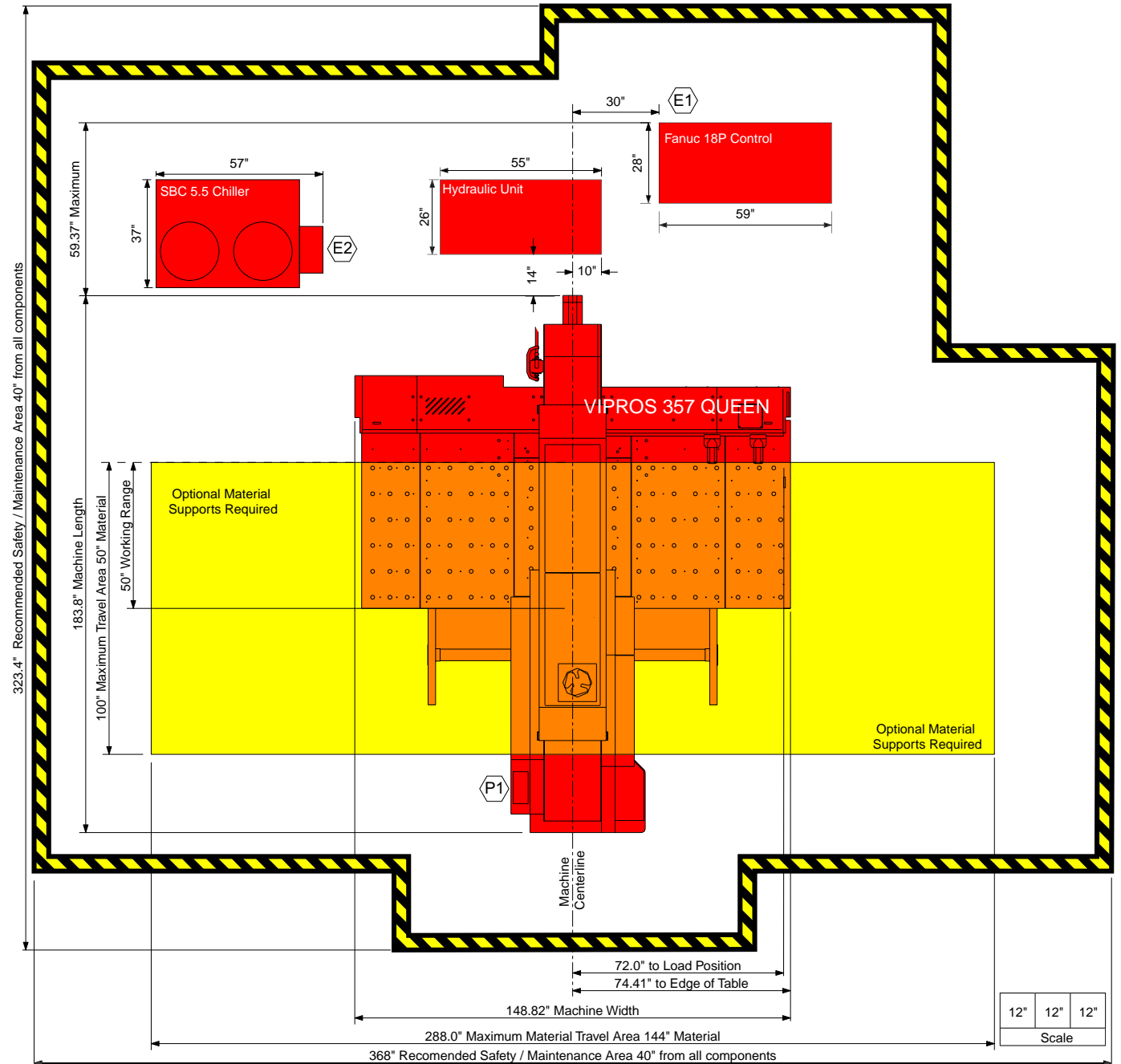
Planning the Location of the Machine

The following diagrams provide the details for positioning your new machine.

- Not all information required for proper installation, of the Vipros 357 Queen is included with this document. Specific details for proper installation are found in the *document Vipros 357 Queen with Fanuc 18P User Pre-installation Guide* available at the Amada America Internet web site at <http://www.amada.com>.
- No obstacles are allowed in the worksheet travel area and the ceiling must be at least 40" above the top of the Vipros 357 Queen.
- All of the Recommended Safety / Maintenance areas should be used, but you must at least ensure that the doors of the Fanuc 18P control unit can be opened. Any reduction of the Recommended Safety / Maintenance areas may increase the possibility of personnel injury and increase the time and cost of installation or maintenance.
- The Vipros 357 Queen and Fanuc 18P control must be protected from direct sunlight or other heat sources. Exposure to direct heating sources such as infrared heaters have been shown to affect punch and die alignment.
- The positioning of the SBC EX 5.5 Chiller is very flexible.

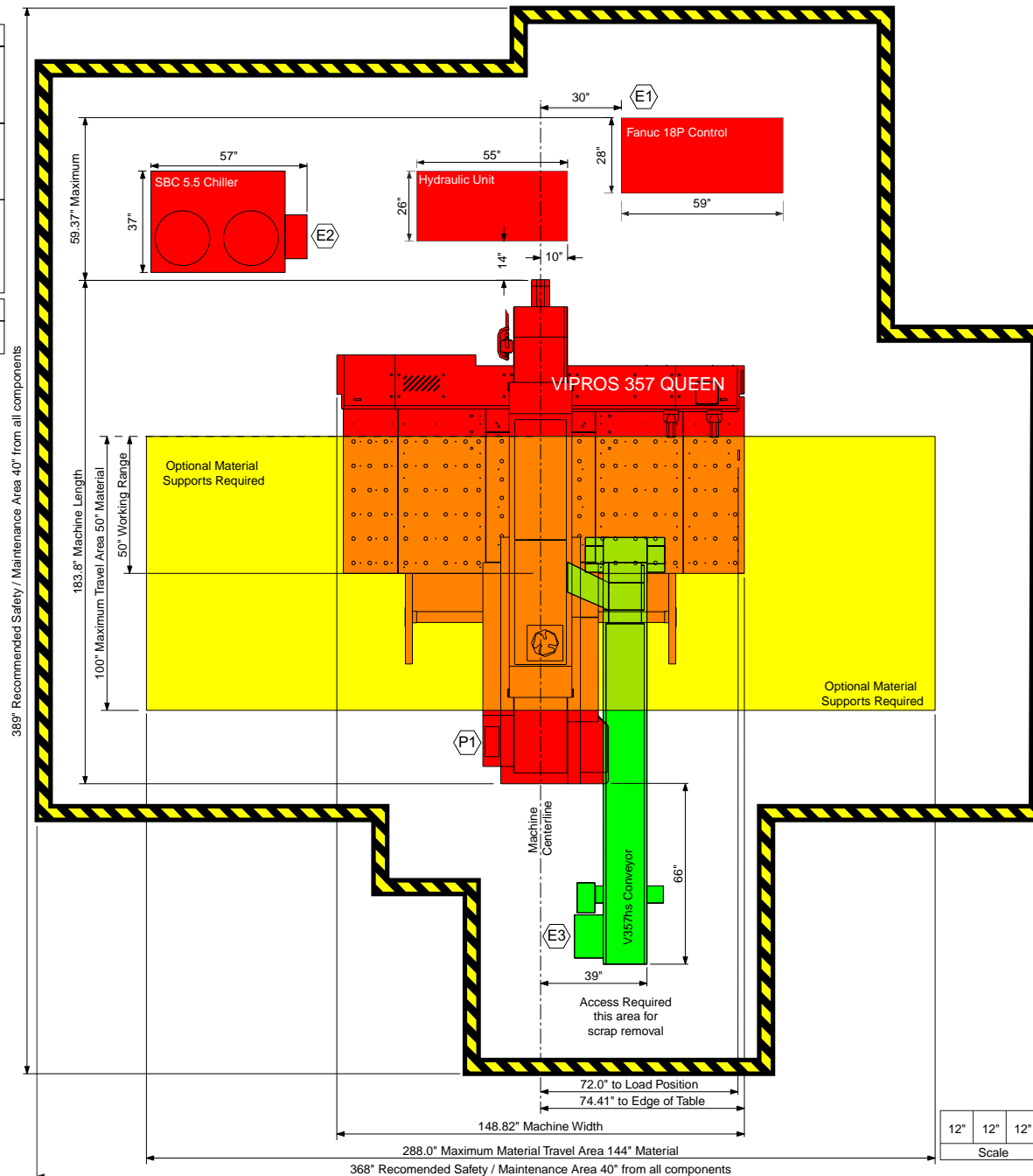
Plan View – Vipros 357 Queen

Electrical Requirements	
(E1)	Vipros 357 Queen 230 / 460 / 3 / 60 ±10% 30 kVA 76 amps @ 230 / 3 / 60 VAC 38 amps @ 460 / 3 / 60 VAC
(E2)	SBC EX5.5 Chiller 230 or 460 / 3 / 60 ±10% 15 kVA 37 amps @ 230 / 3 / 60 VAC 19 amps @ 460 / 3 / 60 VAC
Compressed Air Requirements	
(P1)	Vipros 357 Queen 80 psi @ 8.8 ft ³ /min.



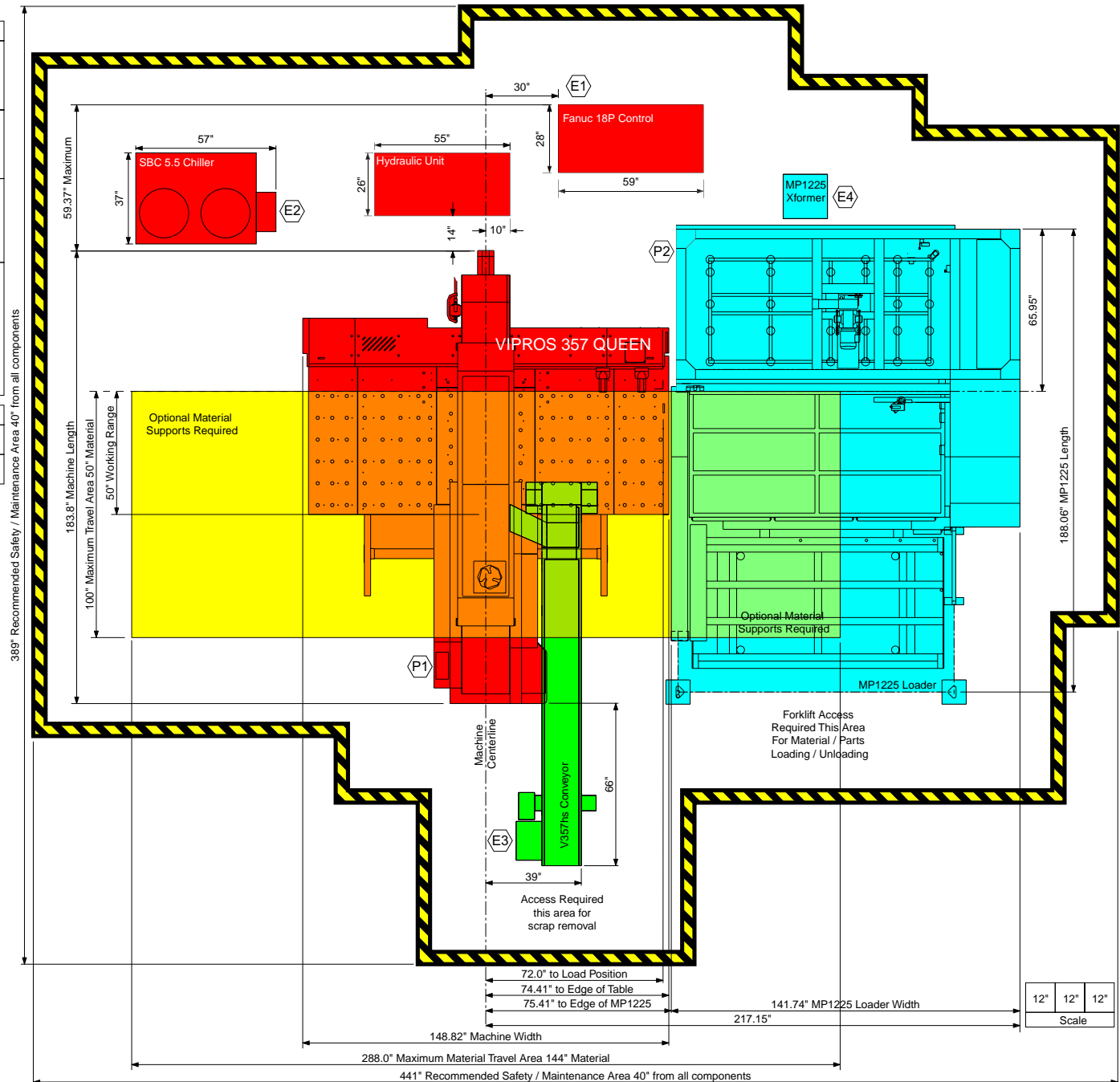
Plan View – Vipros 357 Queen with V357hs Conveyor

Electrical Requirements	
E1	Vipros 357 Queen 230 / 460 / 3 / 60 ±10% 30 kVA 76 amps @ 230 / 3 / 60 VAC 38 amps @ 460 / 3 / 60 VAC
E2	SBC EX5.5 Chiller 230 or 460 / 3 / 60 ±10% 15 kVA 37 amps @ 230 / 3 / 60 VAC 19 amps @ 460 / 3 / 60 VAC
E3	V357hs Conveyor 208 - 230 / 460 / 3 / 60 ±10% .8 kVA 2.1 amps @ 208 / 3 / 60 VAC 2.0 amps @ 230 / 3 / 60 VAC 1.0 amps @ 460 / 3 / 60 VAC
Compressed Air Requirements	
P1	Vipros 357 Queen 80 psi @ 8.8 ft ³ /min.

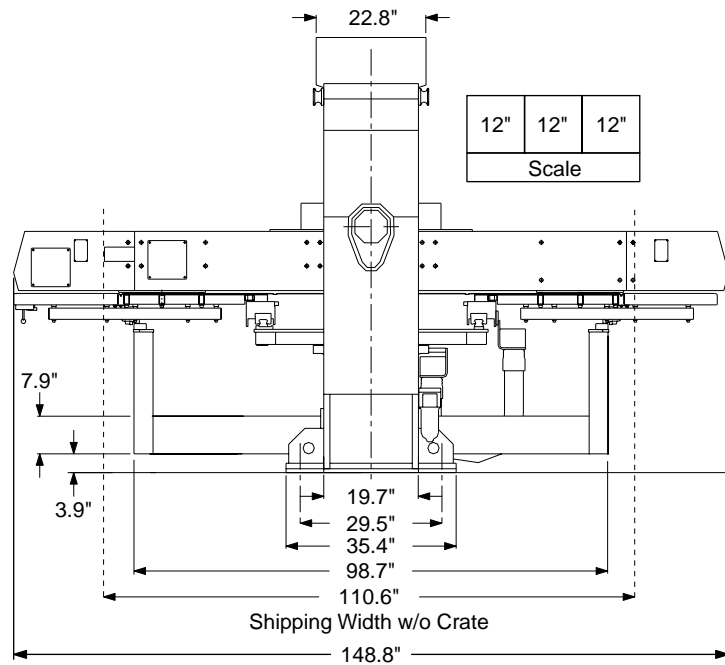


Plan View – Vipros 357 Queen with V357hs Conveyor and MP1225 Loader

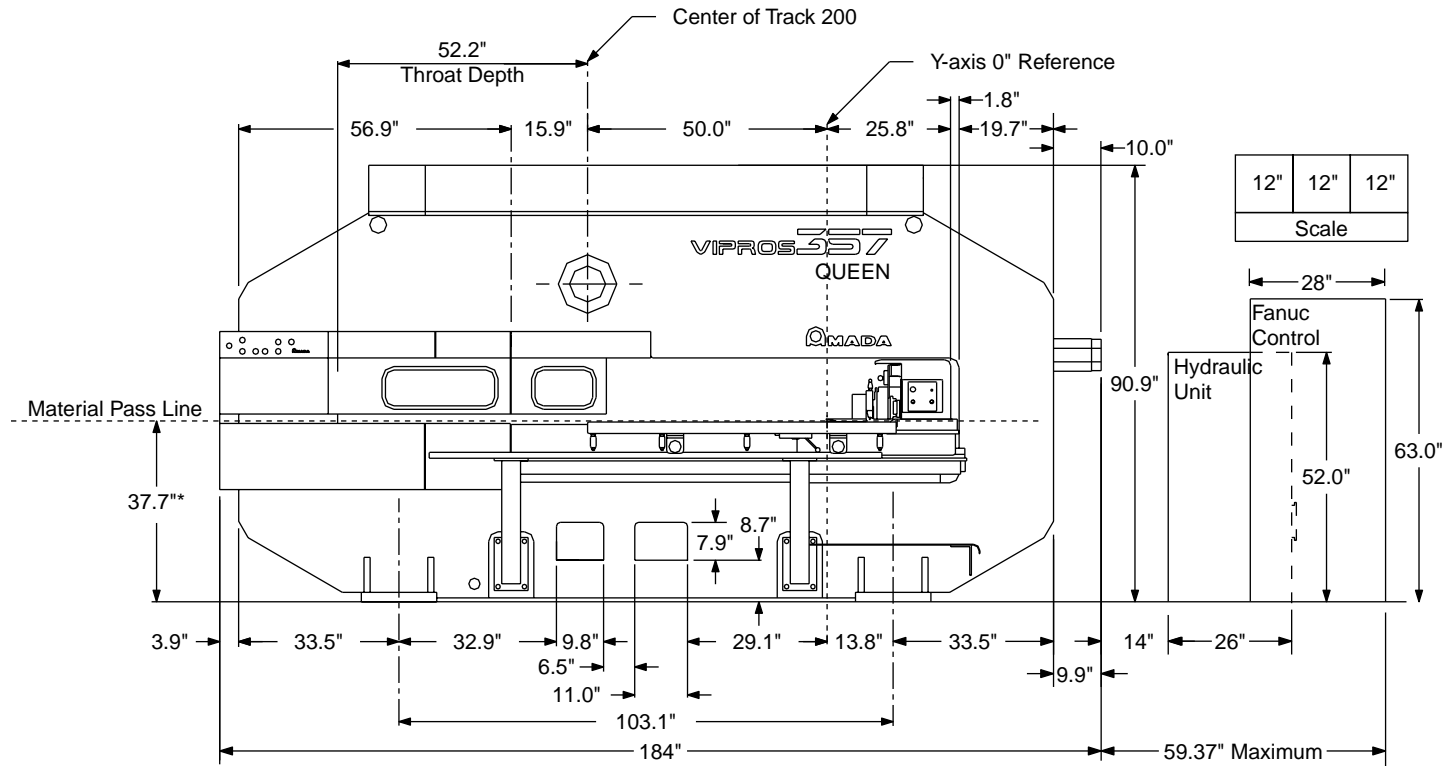
Electrical Requirements	
(E1)	Vipros 357 Queen 230 / 460 / 3 / 60 ±10% 30 kVA 76 amps @ 230 / 3 / 60 VAC 38 amps @ 460 / 3 / 60 VAC
(E2)	SBC EX5.5 Chiller 230 or 460 / 3 / 60 ±10% 15 kVA 37 amps @ 230 / 3 / 60 VAC 19 amps @ 460 / 3 / 60 VAC
(E3)	V357hs Conveyor 208 - 230 / 460 / 3 / 60 ±10% .8 kVA 2.1 amps @ 208 / 3 / 60 VAC 2.0 amps @ 230 / 3 / 60 VAC 1.0 amps @ 460 / 3 / 60 VAC
(E4)	MP1225 Loader 200 / 3 / 60 ±10%, 10 Kva To operate at 230 / 460 VAC a step up transformer with the following service is required 29 amps @ 200 / 3 / 60 VAC 26 amps @ 230 / 3 / 60 VAC 13 amps @ 460 / 3 / 60 VAC
Compressed Air Requirements	
(P1)	Vipros 357 Queen 80 psi @ 8.8 ft ³ /min.
(P2)	MP1225 Loader 75 psi @ 31.8 ft ³ /min.



End View - Vipros 357 Queen



Elevation View –Vipros 357 Queen



*Material Pass Line will vary with installed options

SBC EX 5.5 Chiller Placement

The SBC EX 5.5 Chiller is very important to the reliable operation of the Vipros 357 Queen.

The SBC EX 5.5 Chiller must be placed so that an adequate flow of air is maintained.

The position of the SBC EX 5.5 Chiller is flexible. The SBC EX 5.5 Chiller is supplied with two (2) fifteen-foot lengths of hose to connect the to the Vipros 357 Queen Hydraulic Unit. The customer may supply a longer length of hose if required.

Under normal operating conditions the SBC EX 5.5 Chiller may be placed against walls as shown. However, for maintenance purposes access to all sides of the SBC EX 5.5 Chiller may be required.

The SBC EX 5.5 Chiller must have a minimum 60" of clearance above the SBC EX 5.5 Chiller for proper airflow.

Under normal operation the chiller may be placed against walls as shown.
 For maintenance access to all sides may be required.
 Chiller Location is shown for reference only.

