

Vipros 345 Layout Drawings

Amada America Inc.
7025 Firestone Blvd.
Buena Park CA. 90621
Phone: (714) 739 2111
Fax.: (714) 739 4099
Email info@amada.com

Contents

Planning the Location of the Machine 3

Lifting the Machine 4

Machine Plan View..... 5

Machine Elevation View 6

Machine End View 7

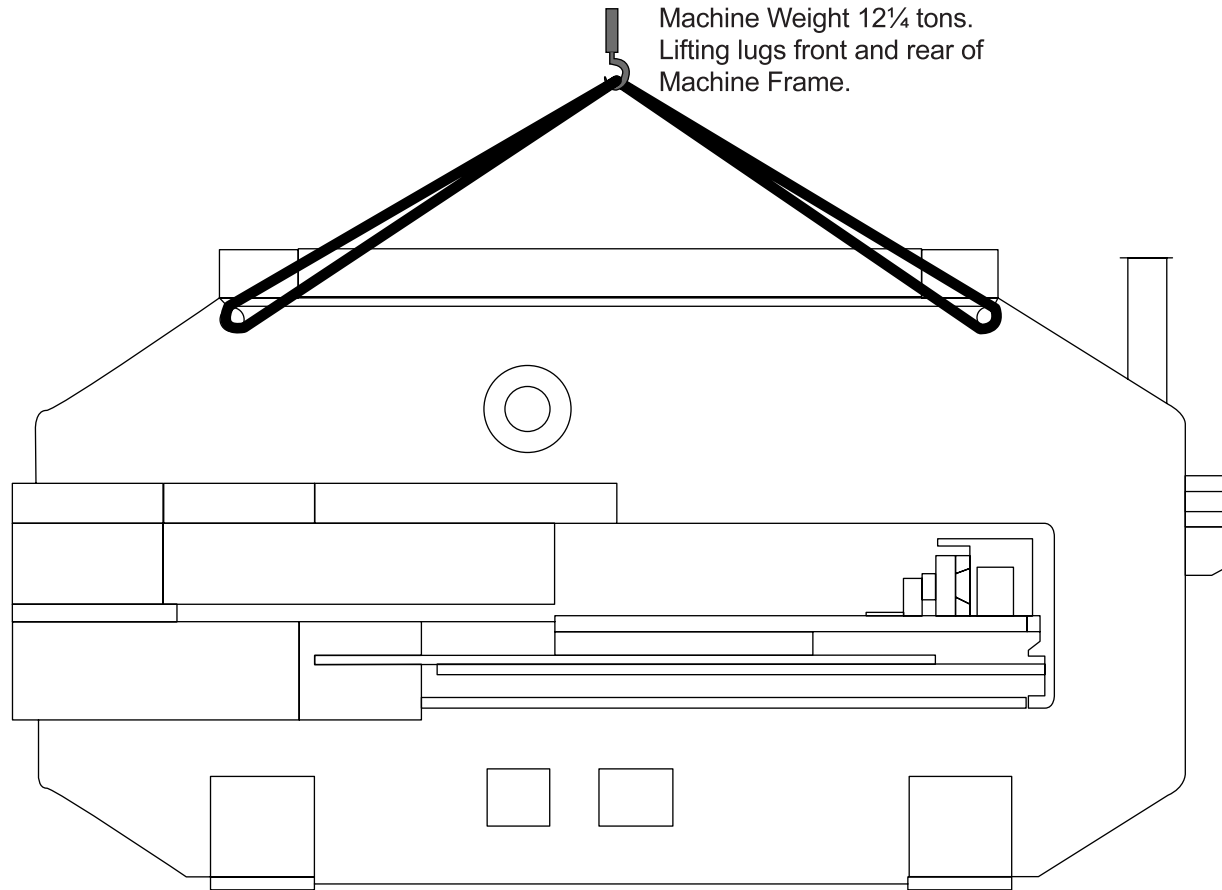
Maintenance Areas 8

Planning the Location of the Machine

The following diagrams provide the details for positioning your new machine.

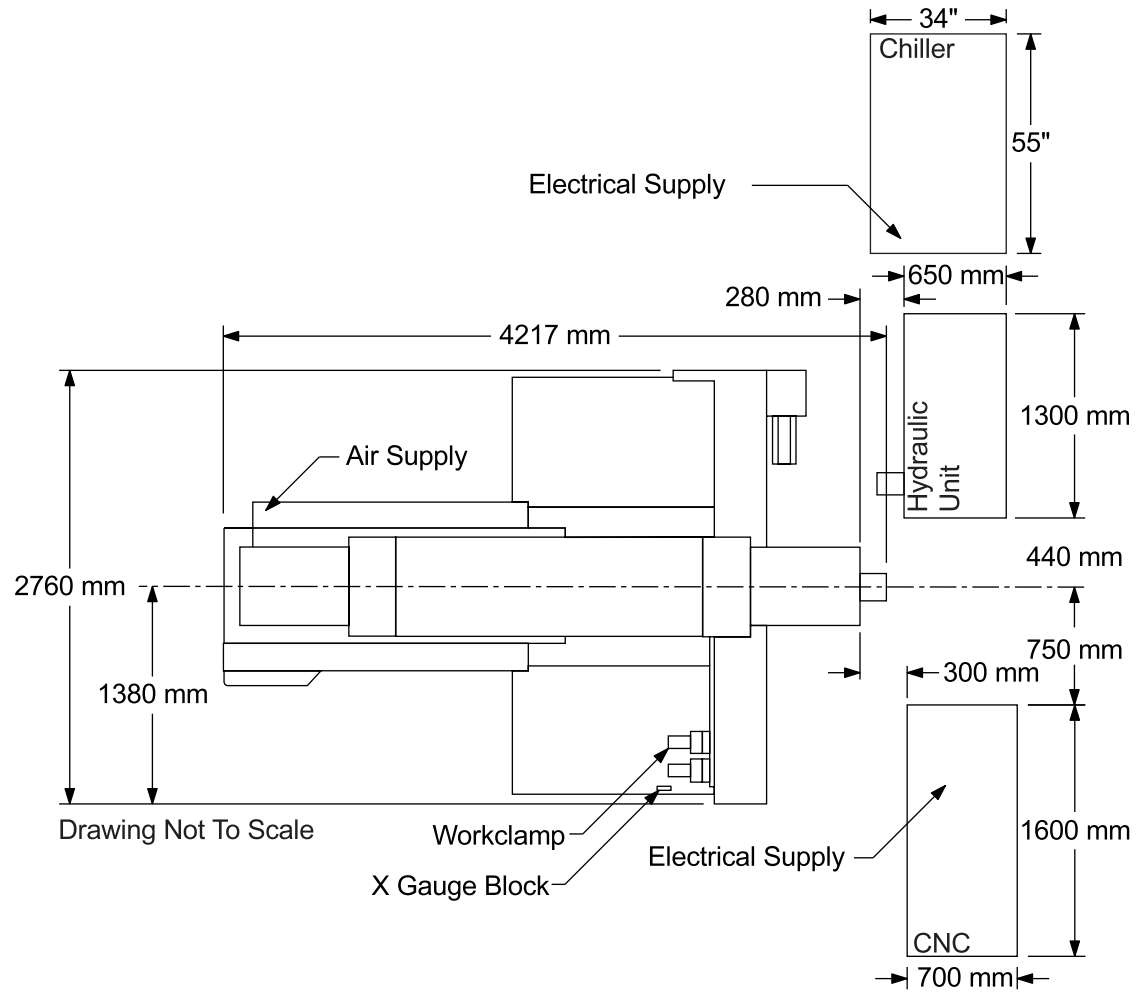
- No obstacles are allowed in the worksheet travel area and the ceiling must be at least 40" above the top of the machine.
- All of the maintenance areas recommended should be used, but you must at least ensure that the doors of the NC unit can be opened.
- The Vipros 345 machine and control must be protected from direct sunlight or other heat sources.
- The positioning of the Chiller is very flexible

Lifting the Machine

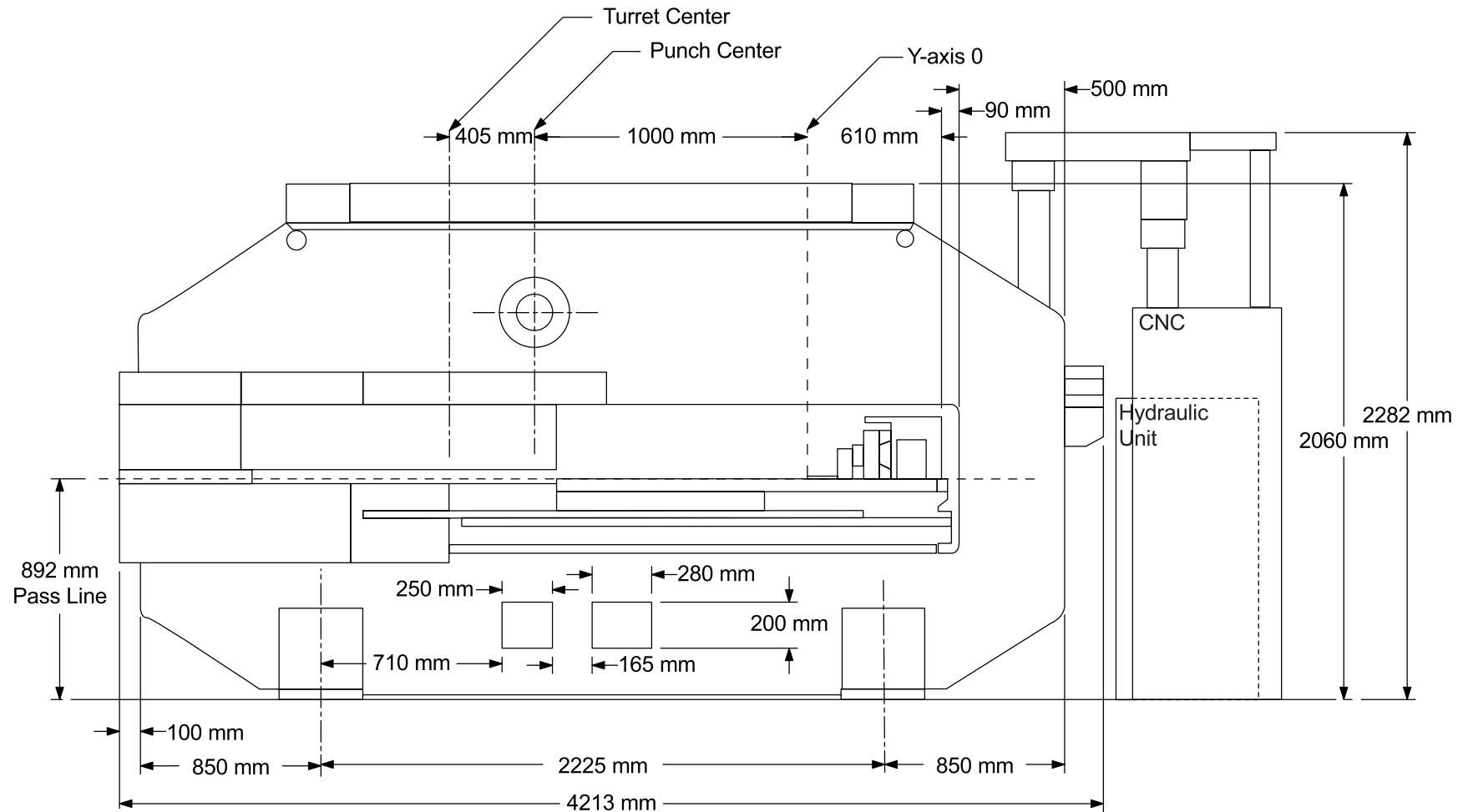


Machine Weight 12¼ tons.
Lifting lugs front and rear of
Machine Frame.

Machine Plan View

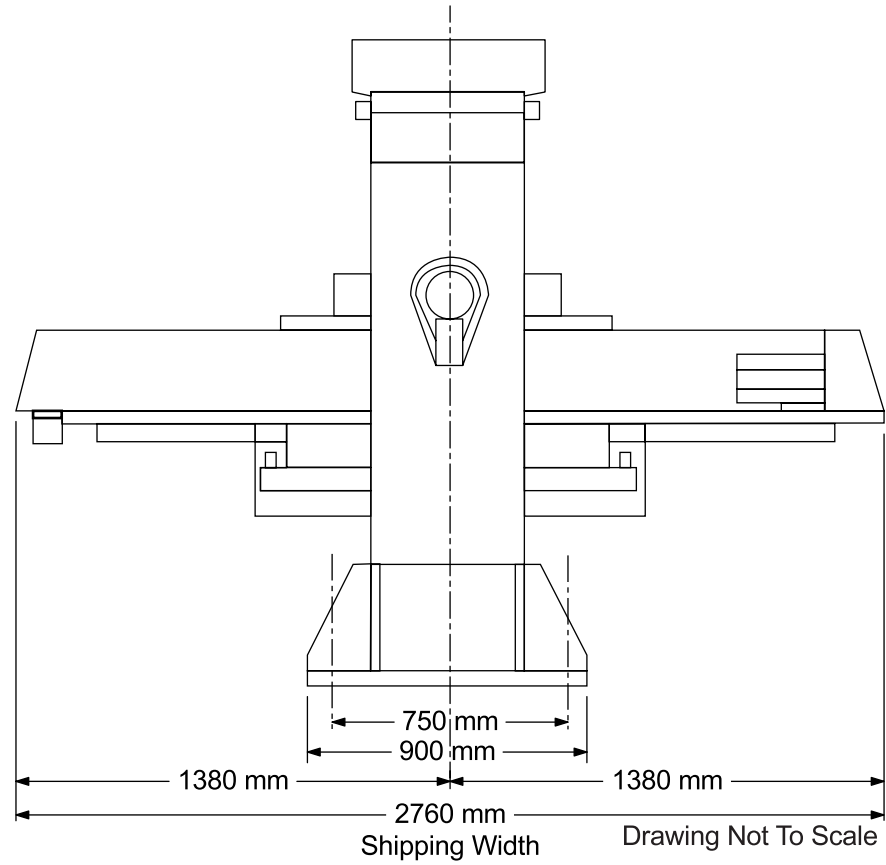


Machine Elevation View



Drawing Not To Scale

Machine End View



Maintenance Areas

